



Bird of Prey

By the mid 2280's, Klingons were using ships called Birds-of-Prey (actually a Romulan term), that were equipped with a cloaking device.

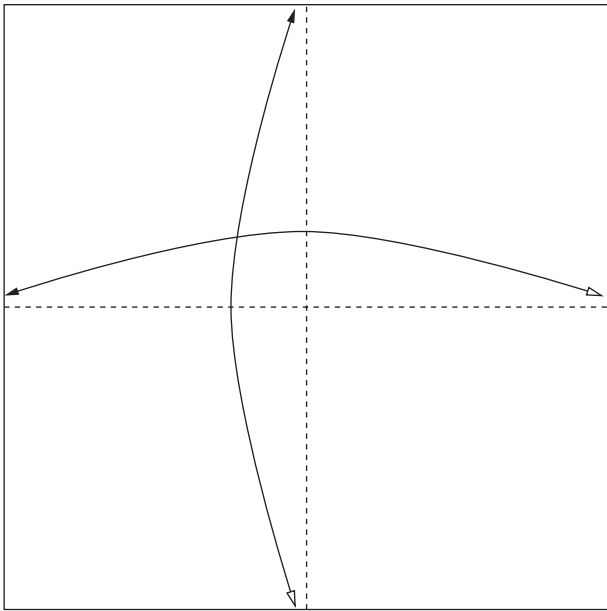
The D-12 is a variation on the standard class Bird of Prey and was introduced in 2348. In order to install the cloaking device in a hull as small as the D-12's, half the torpedo armament had to be sacrificed together with the entire cargo bay and a third of the crew quarters. Since operating the cloaking device required an extra seven crew members to be carried over the standard maximum Bird of Prey-complement, the D-12 class was overcrowded even by Klingon conditions. Despite these shortcomings the D-12's had only a few losses during the next seven years. In 2357 fifteen of the crew of the KHL Kolnar were killed when a section of the hull blew; two months later a similar accident killed eleven Klingons on the HKL Nak'Leth. Investigations indicated that an error in the plasma coils of the cloaking device was causing the system to emit high levels of neutron radiation, resulting in serious neutron fatigue to a large section of the hull of almost every ship. The D-12 class was retired from service in 2359.

Most were cannibalized or used as targets in live fire exercises, nine ships were sold to private individuals. These have been used by mercenaries and pirates, changing owners many times over the years.

Hints

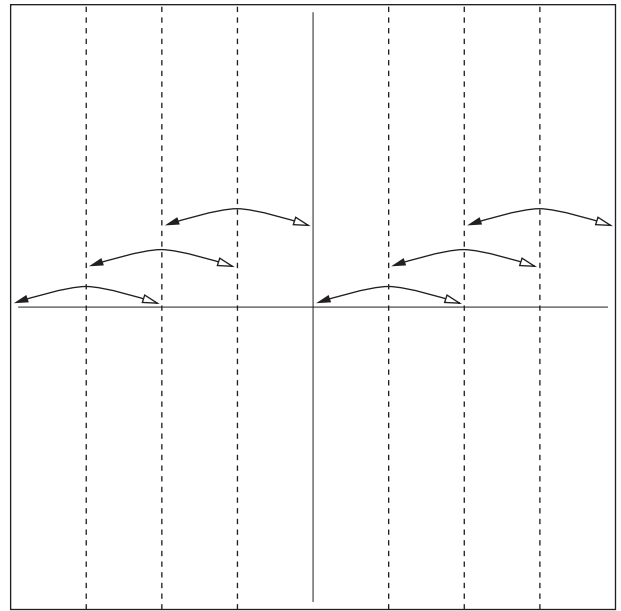
- level: ■ ■ ■ □
- use tissue foil
- paper: 21x21 cm or greater for success

1



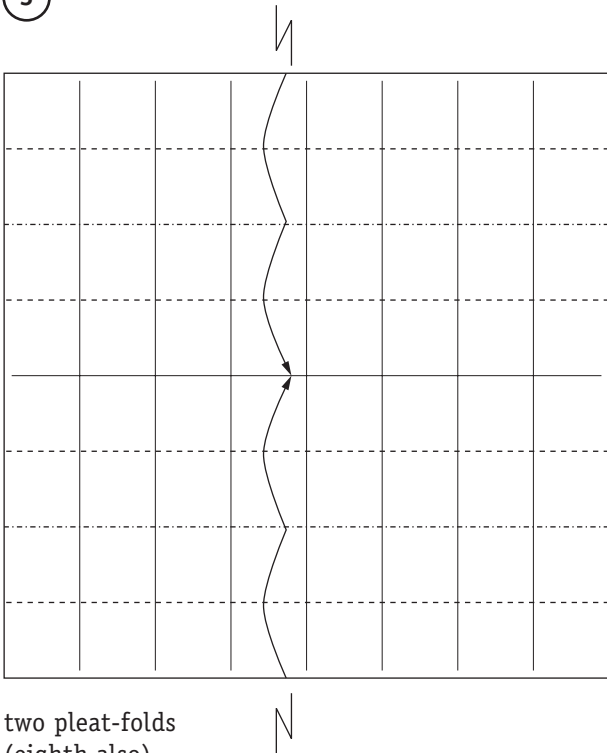
- colored side down
- fold and unfold

2



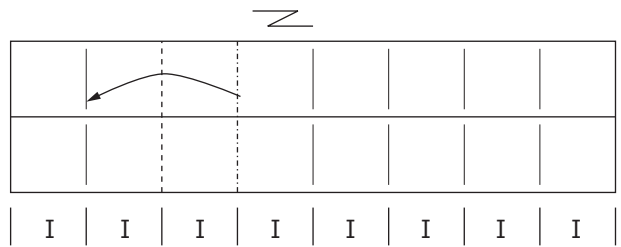
fold in eighth and unfold

3



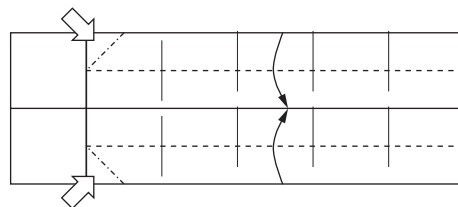
two pleat-folds
(eighth also)

4



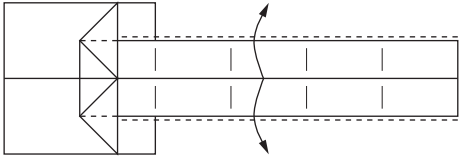
pleat-fold on existing creases

5



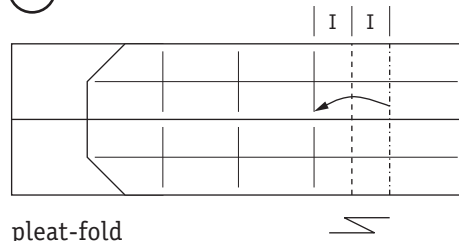
two squash-folds

6



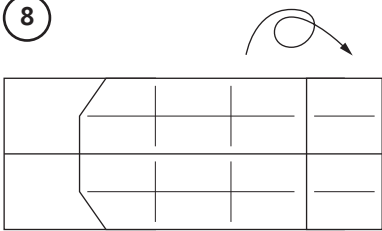
two valley-folds

7



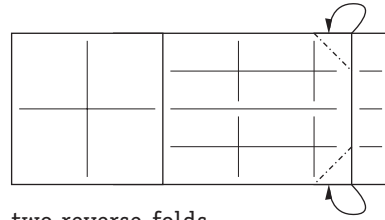
pleat-fold

8



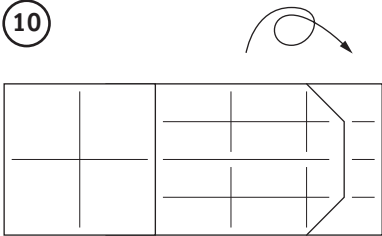
turn over

9



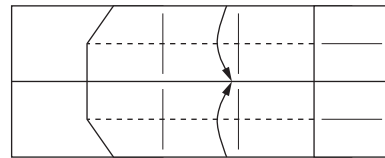
two reverse-folds

10



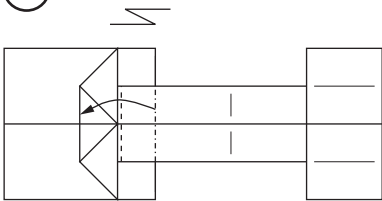
turn over

11



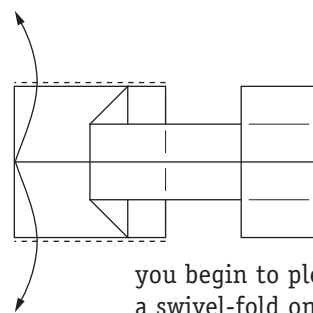
two folds to the middle line on the existing creases from steps 6 and 9

12



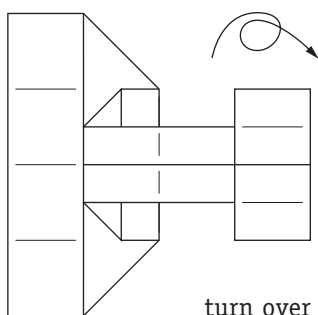
pleat-fold

13



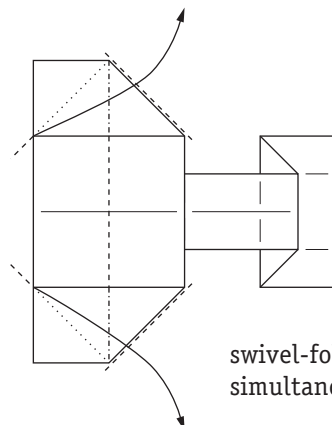
you begin to pleat the wings now:
a swivel-fold on both sides

14



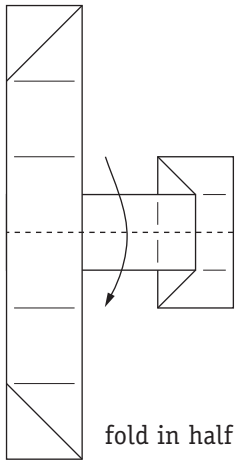
turn over

15



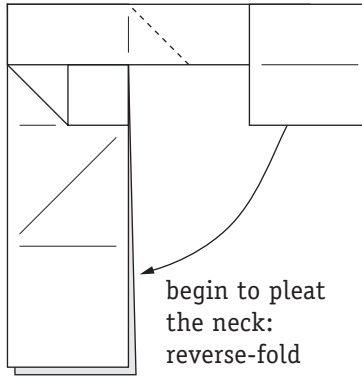
swivel-fold both flaps
simultaneously

16



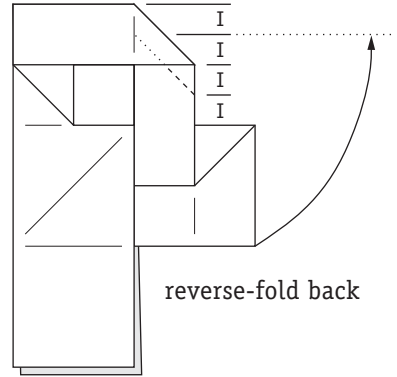
fold in half

17



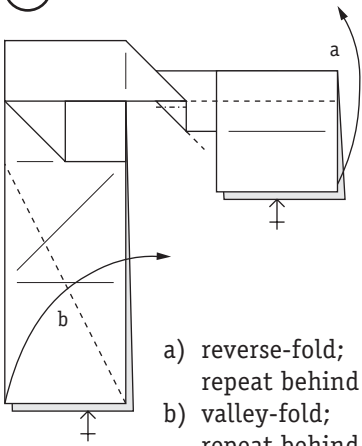
begin to pleat the neck:
reverse-fold

18



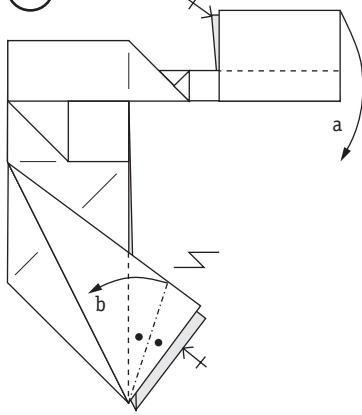
reverse-fold back

19



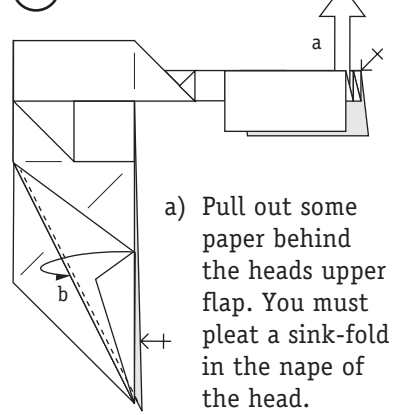
a) reverse-fold;
repeat behind
b) valley-fold;
repeat behind

20



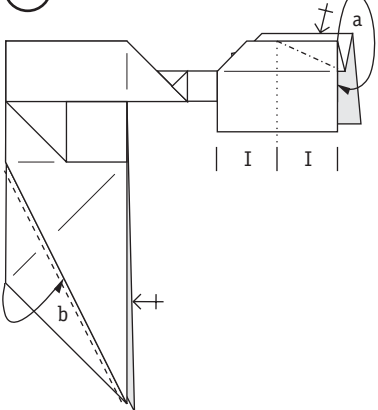
a) you begin to fold the head
valley-fold; repeat behind
b) pleat-fold; repeat behind

21



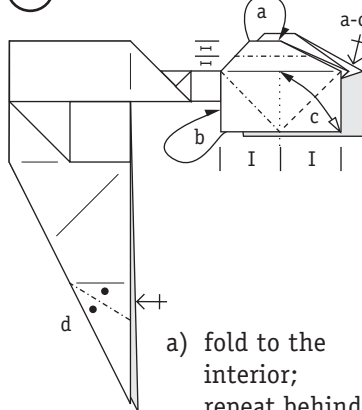
a) Pull out some paper behind
the heads upper flap. You must
pleat a sink-fold in the nape of
the head. Repeat with the
heads lower flap.
b) tuck into the pocket;
repeat behind

22



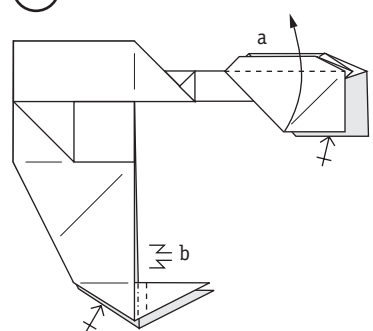
a) reverse-fold;
repeat behind
b) tuck into the pocket;
repeat behind

23



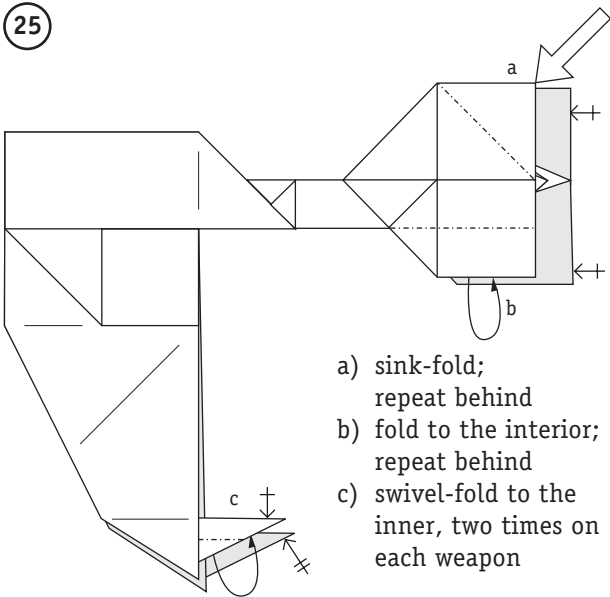
a) fold to the interior;
repeat behind
b) reverse-fold;
repeat behind
c) fold and unfold;
repeat behind
d) reverse-fold;
repeat behind

24

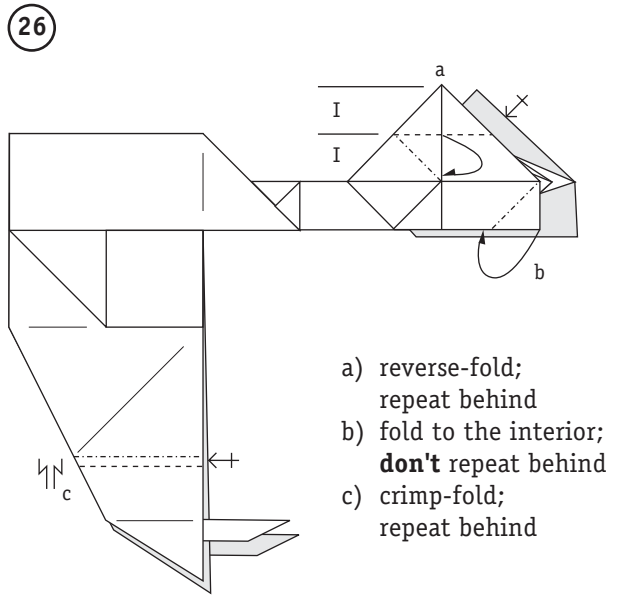


a) fold up the upper flap;
repeat behind
b) crimp-fold the weapons;
repeat behind

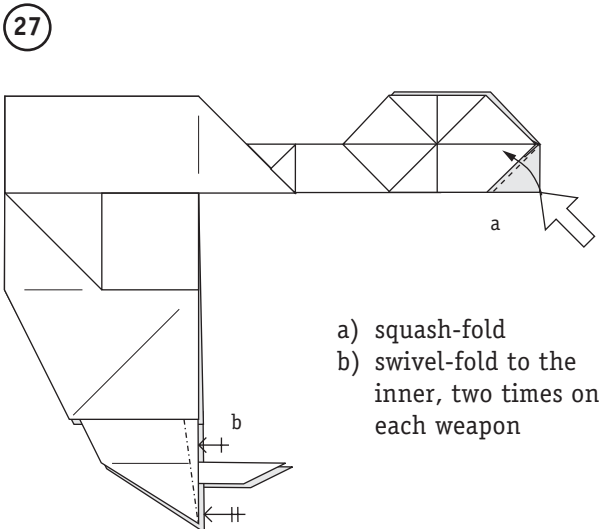
25



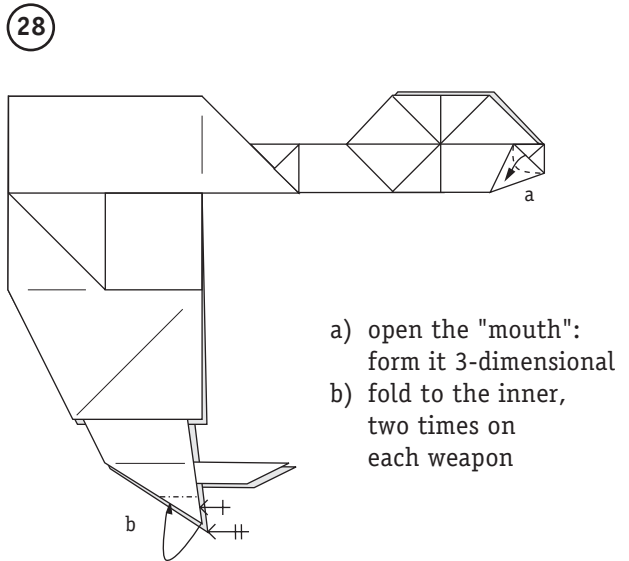
26



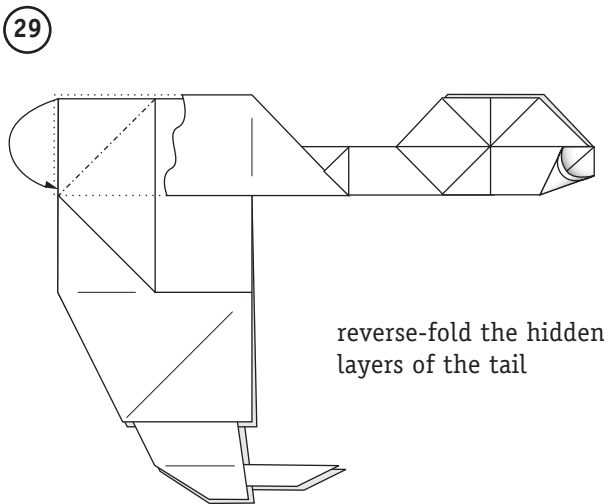
27



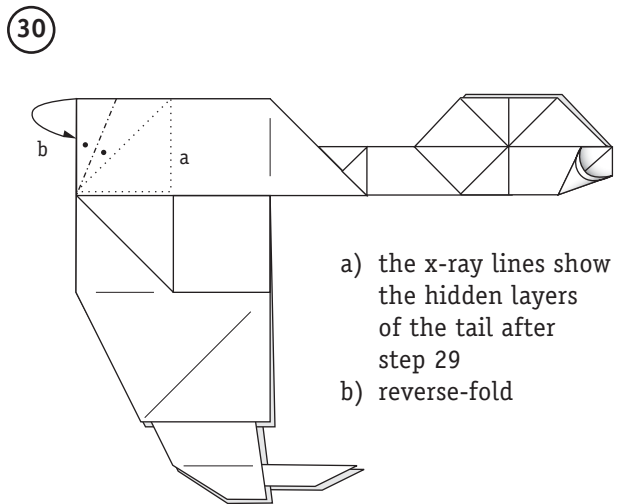
28



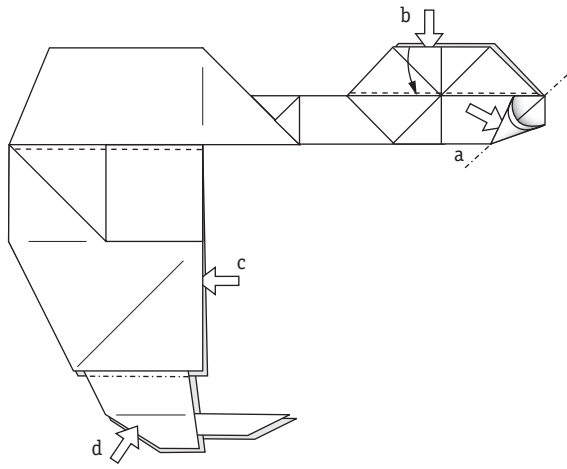
29



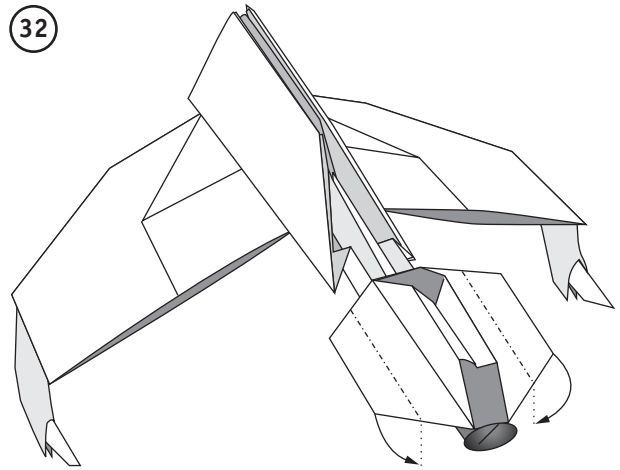
30



31



32

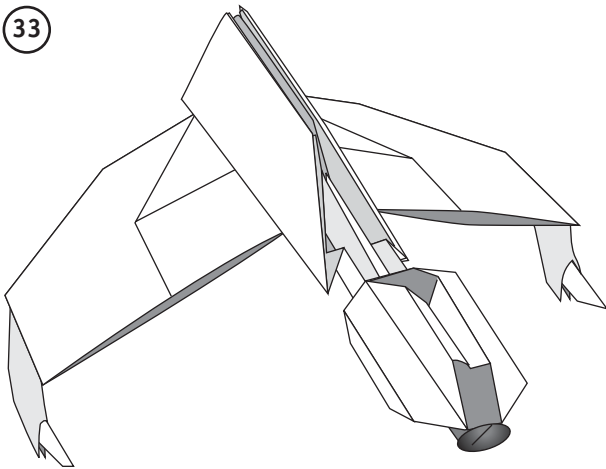


fold down the half of the "cheeks"

curve the Bird of Prey 3-dimensional:

- a) bring the "mouth" in front
- b) spread the "cheeks" of the "head"
- c) spread the "wings"
- d) arrange the weapons vertically

33



That's it!